

Heating Hot water Renewables



UNVENTED CYLINDERS 80 - 500 LITRES



Maximum hot water, minimum fuss

Being able to turn on any tap in the home and get hot and cold water at mains pressure is something that we would all love to have. With the highly innovative range of Ariston unvented cylinders - this is now a reality. Feeding all the home's taps directly from the incoming cold water main removes the need for a cold water storage tank in the loft, freeing up the space, eliminating the risk of freezing pipes and providing many other benefits.

Unvented systems have been widely used across the world for decades, and started becoming increasingly popular in the UK over 25 years ago. Nowadays, they account for approaching half of all new hot water storage systems.

To ensure that our products meet the changing needs of our customers we undertake continuous research into new technologies and design; as is demonstrated by the current range of Ariston unvented cylinders.

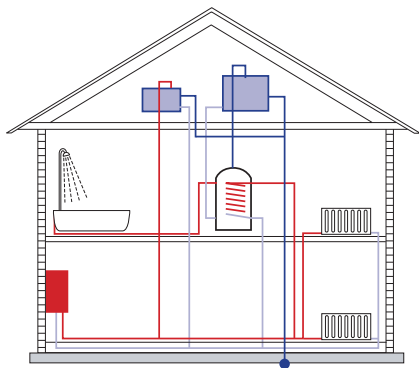
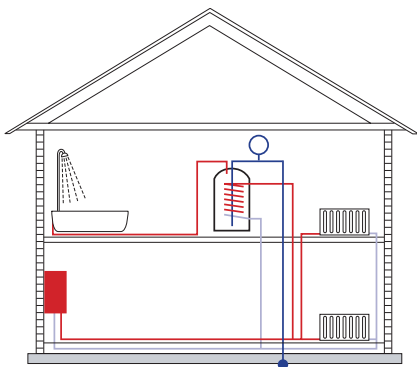
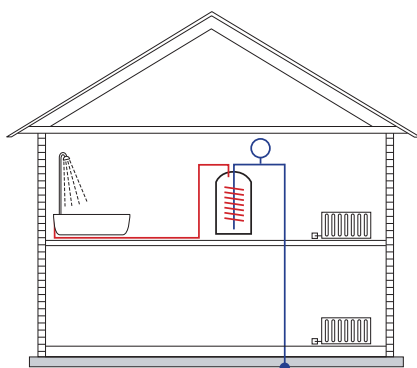
Ariston are unique in the fact that they offer cylinders produced from both steel with a vitreous enamel (glass) lining (ST and Classico HE ranges) and cylinders produced from Stainless Steel (Aquabravo range).

The glass-lined models are available as either wall mounted (ST 100) or floor standing (Classico HE 125 – 500 litres) whilst the Stainless Steel Aquabravo range is available as floor standing models (80 - 305 litres).

Both the Classico HE and Aquabravo ranges can be heated either directly by electricity or indirectly by an additional heat source e.g. gas or oil. The Aquabravo floor standing cylinders, at just 550mm wide, boast low heat loss. And, with all the connections accessible from the front, they can be readily fitted in the tightest of spaces.

As part of our ongoing commitment to the environment, Ariston has developed a range of twin coil (solar compatible) cylinders - 215, 255 and 305 litres capacity.



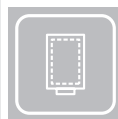
1**traditional open-vent system****2****unvented indirect & sealed heating systems****3****unvented direct system & electric space heating****Advantages of an unvented system**

- Hot and cold water supply to all outlets at mains pressure
- Drinking water at all cold water outlets, as water is supplied directly from the incoming mains water pipe
- Good shower flow and pressure without the need for pumps
- High performance, energy efficient and quiet operation
- Balanced hot and cold water supply giving wider choice of taps and fittings
- No storage tank in the loft freeing up potentially valuable loft space and removing the risk of:
 - Water stagnation
 - Frost damage to pipes
- Lower insurance premiums due to the absence of stored water in the loft
- Greater system design and flexibility
- Simpler plumbing system – less pipework, less time, less cost

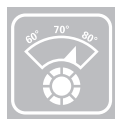


HIGH EFFICIENCY FLOOR STANDING DIRECT UNVENTED CYLINDERS

- QUALITY STEEL TANK, 12 BAR PRESSURE TESTED AND EXCLUSIVE VITREOUS ENAMEL COATING (GLASS LINING)
- ENVIRONMENTALLY SOUND AND HIGHLY EFFICIENT THERMAL INSULATION
- ALL PLUMBING AND ELECTRICAL CONNECTIONS WITHIN A 90° ANGLE
- MAGNESIUM ANODES TO PROTECT AGAINST CORROSION
- IMMERSION HEATERS SUPPLIED WITH REGULATION THERMOSTATS AND DUAL POLE THERMAL CUT-OUTS
- FACTORY FITTED 1/2" T&P RELIEF VALVE
- UNVENTED CONTROL KIT SUPPLIED WITH CYLINDER
- SIMPLE INSTALLATION
- 5 YEAR TANK GUARANTEE (2 YEAR GUARANTEE ON ELECTRICAL COMPONENTS)



ENAMELED STEEL TANK



TEMPERATURE REGULATION



ENVIRONMENTALLY FRIENDLY INSULATION



Technical data - Overall dimensions

Model Product Code	STD 125 HE 3060267	STD 150 HE 3060268	STD 210 HE 3060269	STD 300 HE 3060270	STD 500 HE 3060275	
Nominal capacity	l	125	150	200	300	495
Weight empty	kg	42	49	54	94	130
Weight full	kg	167	199	254	394	625
Voltage	V	240	240	240	240	240/415
Power	kW	3+3	3+3	3+3	3+3	6
Reheat time* (ΔT= 45°C)	h:min.	2:28	2:48	3:46	5:14	4:37
Reheat time** (ΔT= 45°C)	h:min.	1:46	2:10	3:54	4:37	3:18
Max. Working Temp.	°C	70	70	70	70	70
Typical application***		D	E	F	G	H/I

	STD 125 HE	STD 150 HE	STD 210 HE	STD 300 HE	STD 500 HE
a mm	666	806	956	1199	1390
b mm	763	921	1237	1540	335
c mm	1024	1182	1498	1792	1870
d mm	550	550	550	600	-
e mm	281	281	281	259	714

* Based on single heating element 100% capacity

** Based on single heating element 70% capacity

***Typical application

• D: domestic usage < 3 people (kitchen, shower)

• E: domestic usage 3/4 people (kitchen, bathroom + shower)

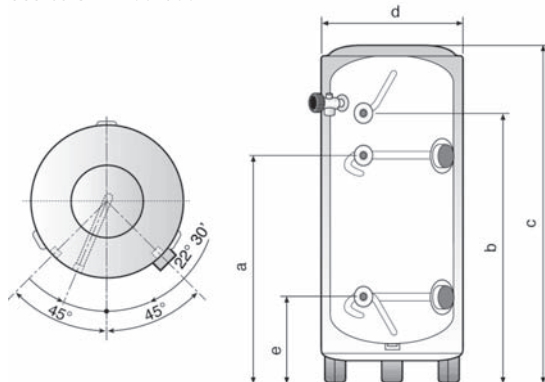
• F: domestic usage 4/5 people (kitchen, 2 bathrooms)

• G: domestic usage 5 people (kitchen, 2 bathrooms + shower)

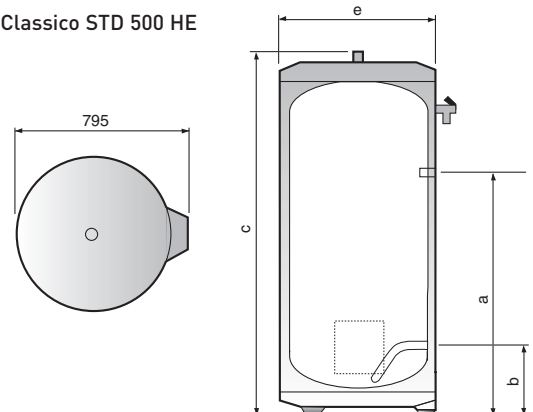
• H: above average household use

• I: light commercial use

Classico STD 100-300 HE



Classico STD 500 HE



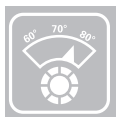


HIGH EFFICIENCY FLOOR STANDING INDIRECT UNVENTED CYLINDERS

- QUALITY STEEL TANK, 12 BAR PRESSURE TESTED AND EXCLUSIVE VITREOUS ENAMEL COATING (GLASS LINING)
- ENVIRONMENTALLY SOUND AND HIGHLY EFFICIENT THERMAL INSULATION
- ALL PLUMBING AND ELECTRICAL CONNECTIONS WITHIN A 90° ANGLE
- MAGNESIUM ANODES TO PROTECT AGAINST CORROSION
- IMMERSION HEATER SUPPLIED WITH REGULATION THERMOSTAT AND DUAL POLE THERMAL CUT-OUT
- CYLINDER THERMOSTAT WITH EXTERNAL REGULATION
- UNIQUE COIL DESIGN ALLOWS FULL QUANTITY OF WATER TO BE HEATED
- FACTORY FITTED 1/2" T&P RELIEF VALVE
- UNVENTED CONTROL KIT SUPPLIED WITH CYLINDER
- SIMPLE INSTALLATION
- 5 YEAR TANK GUARANTEE (2 YEAR GUARANTEE ON ELECTRICAL COMPONENTS)



ENAMELLED STEEL TANK



TEMPERATURE REGULATION



ENVIRONMENTALLY FRIENDLY INSULATION



Technical data - Overall dimensions

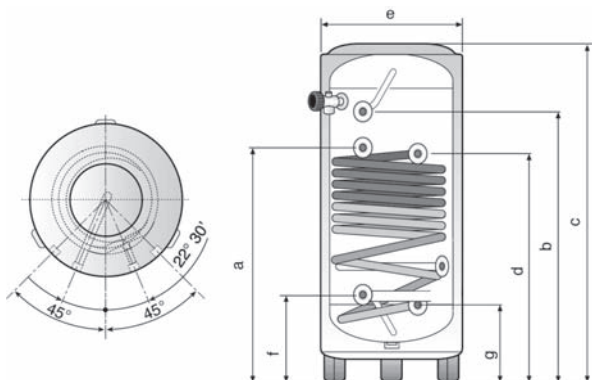
Model Product Code		STI 125 HE 3060271	STI 150 HE 3060272	STI 210 HE 3060273	STI 300 HE 3060274	STI 500 HE 3060276		STI 125 HE	STI 150 HE	STI 210 HE	STI 300 HE	STI 500 HE
Nominal capacity	l	125	150	200	300	495	a mm	666	806	956	1199	1390
Weight empty	kg	49	58	63	103	146	b mm	763	921	1237	1540	335
Weight full	kg	164	208	363	403	641	c mm	1024	1182	1498	1792	1870
Heat exchanger performance	kW	18.4	21.6	27.2	24.4	33.0	d mm	641	781	781	784	700
Coil surface area	m ²	0.65	0.84	0.84	0.84	1.50	e mm	550	550	550	600	714
Reheat time* (ΔT= 45°C)	min.	19	19	27	44	58	f mm	281	281	281	259	-
Reheat time** (ΔT= 45°C)	min.	18	18	23	37	48	g mm	241	241	241	244	-
Voltage	V	240	240	240	240	240/415						
Power	kW	3	3	3	3	6						
Immersion reheat (ΔT= 45°C)	min.	148	168	226	314	277						
Max. temperature.	°C	70	70	70	70	70						
Typical application***		E	F	G	H	H/I						

* Heated to 100% capacity
** Heated to 70% capacity
(Tests in accordance with BS EN 12897)

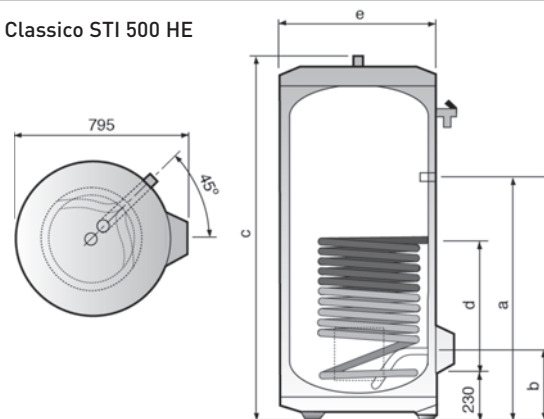
***Typical application
• E: domestic usage 3/4 people (kitchen, shower)
• F: domestic usage 4/5 people (kitchen, 2 bathrooms)

• G: domestic usage 5 people and above (kitchen, 2 bathrooms + shower)
• H: above average household use
• I: light commercial use

Classico STI 100-300 HE



Classico STI 500 HE



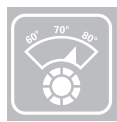


HIGH EFFICIENCY FLOOR STANDING DIRECT UNVENTED CYLINDERS

- QUALITY STAINLESS STEEL TANK, 12 BAR PRESSURE TESTED
- ENVIRONMENTALLY SOUND AND HIGHLY EFFICIENT THERMAL INSULATION
- IMMERSION HEATERS SUPPLIED WITH REGULATION THERMOSTAT AND DUAL POLE THERMAL CUT-OUT
- FACTORY FITTED 1/2" T&P RELIEF VALVE
- UNVENTED CONTROL KIT SUPPLIED WITH CYLINDER
- SIMPLE INSTALLATION
- 25 YEAR TANK GUARANTEE (2 YEAR GUARANTEE ON ELECTRICAL COMPONENTS)
- OZONE DEPLETION POTENTIAL (ODP) 0
- GLOBAL WARMING POTENTIAL (GWP) <5



STAINLESS STEEL TANK



TEMPERATURE REGULATION



ENVIRONMENTALLY FRIENDLY INSULATION



Technical data - Overall dimensions

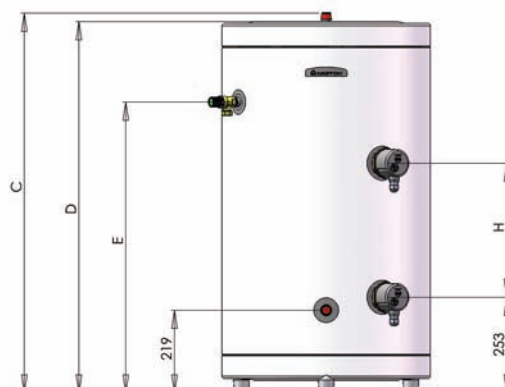
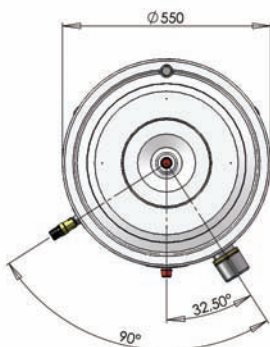
Model	ITD 130		ITD 150		ITD 215		ITD 305	
Product Code	3060277 (3826503)		3060278 (3826504)		3060281 (3826505)		3060282 (3826506)	
Nominal capacity	l	127	151	212	300			
Weight empty	kg	27	30	41	60			
Weight full	kg	154	181	253	360			
Voltage	V	240	240	240	240			
Immersion heater rating	kW	3+3	3+3	3+3	3+3			
Reheat time* (ΔT= 45°C)	h:min.	2:46	3:18	4:50	7:19			
Reheat time** (ΔT= 45°C)	h:min.	2:03	2:24	3:16	4:56			
Max. Working Temp.	°C	70	70	70	70			

	ITD 130	ITD 150	ITD 215	ITD 305
c mm	1003	1131	1530	2074
d mm	981	1109	1508	2052
e mm	768	896	1295	1839
h mm	353	431	802	1307
Typical application***	D	E	F	G

* Based on single heating element 100% capacity
 ** Based on single heating element 70% capacity

***Typical application
 D: domestic usage < 3 people (kitchen, shower)
 E: domestic usage 3/4 people (kitchen, bathroom + shower)

F: domestic usage 4/5 people (kitchen, 2 bathrooms)
 G: domestic usage 5 people (kitchen, 2 bathrooms + shower)



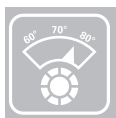


HIGH EFFICIENCY FLOOR STANDING INDIRECT UNVENTED CYLINDERS

- QUALITY STAINLESS STEEL TANK, 12 BAR PRESSURE TESTED.
- ENVIRONMENTALLY SOUND AND HIGHLY EFFICIENT THERMAL INSULATION
- IMMERSION HEATER SUPPLIED WITH REGULATION THERMOSTAT AND DUAL POLE THERMAL CUT-OUT
- CYLINDER THERMOSTAT WITH EXTERNAL REGULATION
- UNIQUE COIL DESIGN ALLOWS FULL QUANTITY OF WATER TO BE HEATED
- FACTORY FITTED 1/2" T&P RELIEF VALVE
- UNVENTED CONTROL KIT SUPPLIED WITH CYLINDER
- SIMPLE INSTALLATION
- 25 YEAR TANK GUARANTEE (2 YEAR GUARANTEE ON ELECTRICAL COMPONENTS)
- OZONE DEPLETION POTENTIAL (ODP) 0
- GLOBAL WARMING POTENTIAL (GWP) <5



STAINLESS STEEL TANK



TEMPERATURE REGULATION



ENVIRONMENTALLY FRIENDLY INSULATION



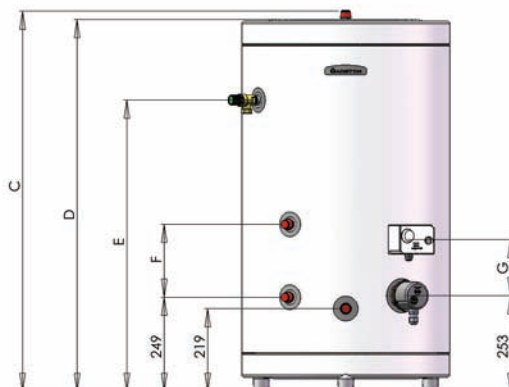
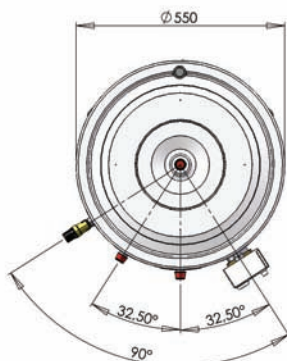
Technical data - Overall dimensions

Model Product Code	ITI 80 3060285 (3826507)	ITI 130 3060286 (3826508)	ITI 150 3060287 (3826509)	ITI 215 3060288 (3826510)	ITI 255 3060289 (3826511)	ITI 305 3060290 (3826512)		ITI 80	ITI 130	ITI 150	ITI 215	ITI 255	ITI 305	
Nominal capacity	l	78	125	146	210	253	296							
Weight empty	kg	22	28	30	43	49	65	c mm	711	1003	1131	1530	1792	2074
Weight full	kg	99	152	177	252	303	362	d mm	689	981	1109	1508	1770	2052
Heat exch. performance	kW	17.70	17.28	17.46	24.0	24.59	26.10	e mm	476	768	896	1295	1563	1839
Coil surface area	m ²	0.50	0.67	0.78	0.89	0.89	0.89	f mm	109	192.5	192.5	262.5	262.5	262.5
Reheat time* (ΔT= 45°C)	min.	14	25	30	35	43	48	g mm	125	148.5	148.5	172	172	172
Reheat time** (ΔT= 45°C)	min.	10	18	22	24	31	33	Typical application***	D	E	F	G	G/H	H
Voltage	V	240	240	240	240	240	240							
Immersion heater rating	kW	3	3	3	3	3	3							
Immersion reheat	h:min.	1:33	2:46	3:19	4:51	5:56	7:19							
Max. temperature.	°C	70	70	70	70	70	70							

* Heated to 100% capacity
** Heated to 70% capacity
[Tests in accordance with BS EN 12897]

***Typical application
• E: domestic usage 3/4 people (kitchen, shower)
• F: domestic usage 4/5 people (kitchen, 2 bathrooms)

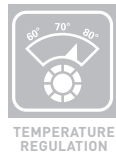
• G: domestic usage 5 people and above (kitchen, 2 bathrooms + shower)
• H: above average household use
• I: light commercial use





HIGH EFFICIENCY FLOOR STANDING TWIN COIL UNVENTED CYLINDERS

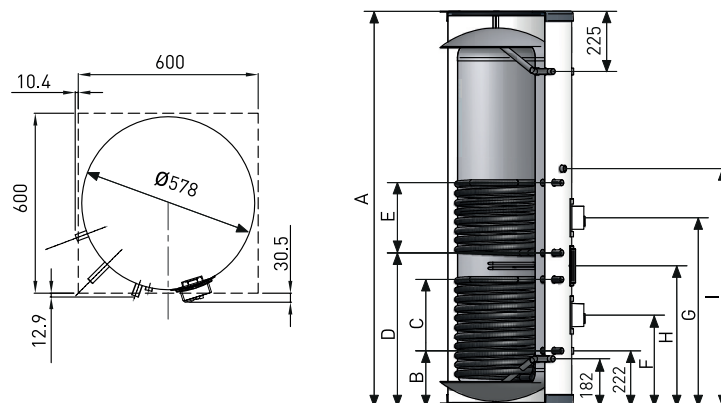
- QUALITY STAINLESS STEEL TANK, 12 BAR PRESSURE TESTED
- ENVIRONMENTALLY SOUND AND HIGHLY EFFICIENT THERMAL INSULATION
- ALL PLUMBING AND ELECTRICAL CONNECTIONS WITHIN A 60° ANGLE
- SECONDARY RETURN CONNECTION
- TWIN INDIRECT COILS FOR DUAL HEAT SOURCE APPLICATIONS
- CYLINDER THERMOSTATS WITH EXTERNAL REGULATION
- FACTORY FITTED 1/2" T&P RELIEF VALVE
- UNVENTED CONTROL KIT SUPPLIED WITH CYLINDER
- SIMPLE INSTALLATION
- 25 YEAR TANK GUARANTEE (2 YEAR GUARANTEE ON ELECTRICAL COMPONENTS)
- OZONE DEPLETION POTENTIAL (ODP) 0
- GLOBAL WARMING POTENTIAL (GWP) <5



Technical data - Overall dimensions

Model		ITSI 215	ITSI 255	ITSI 305		ITSI 215	ITSI 255	ITSI 305
Product Code		3826500	3826501	3826502				
Nominal capacity	l	215	255	305	a mm	1462	1753	2029
Weight empty	kg	55	60	65	b mm	213	213	213
Weight full	kg	270	315	370	c mm	268	268	268
Heat Exchanger performance (top)	kW	20.0	20.0	20.0	d mm	580	580	580
Heat Exchanger performance (bottom)	kW	27.0	27.0	27.0	e mm	263	263	263
Coil surface area (top)	m ²	0.75	0.75	0.75	f mm	183	183	183
Coil surface area (bottom)	m ²	1.1	1.1	1.1	g mm	530	530	530
Indirect reheat time* (ΔT= 45°C)	min.	24	29	34	h mm	345	345	345
Indirect reheat time** (ΔT= 45°C)	min.	17	20	24	i mm	710	710	710
Voltage	V	240	240	240				
Immersion heater rating	kW	3	3	3				
Max. temperature.	°C	70	70	70				

* Based on single heating element 100% capacity
 ** Based on single heating element 70% capacity



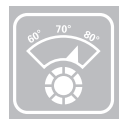


WALL-HUNG UNVENTED CYLINDERS

- QUALITY STEEL TANK, 12 BAR PRESSURE TESTED AND EXCLUSIVE VITREOUS ENAMEL COATING
- ENVIRONMENTALLY SOUND AND HIGHLY EFFICIENT THERMAL INSULATION
- PROTECH ANTI-CORROSION SYSTEM
- INTERNAL REGULATION THERMOSTAT
- FACTORY FITTED 1/2" T&P RELIEF VALVE
- DUAL POLE THERMAL CUT-OUTS
- UNVENTED CONTROL KIT SUPPLIED WITH CYLINDER
- SPACE SAVING WALL FIXING
- SIMPLE INSTALLATION
- 10 YEAR TANK GUARANTEE (2 YEAR GUARANTEE ON ELECTRICAL COMPONENTS)



ENAMELLED STEEL TANK



TEMPERATURE REGULATION



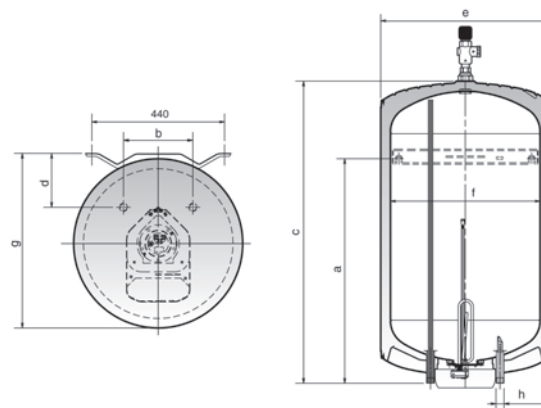
ENVIRONMENTALLY FRIENDLY INSULATION



Technical data - Overall dimensions

Model	ST 100		ST 100	
Product Code	893168/406814			
Nominal capacity	l	100	a mm	530
Weight empty	kg	41	b mm	230
Weight full	kg	141	c mm	750
Voltage	V	240	d mm	175
Power	kW	3	e mm	560
Reheat time ($\Delta T=50^{\circ}\text{C}$)	min.	120	f mm	500
Max. Working Temp.	$^{\circ}\text{C}$	70	g mm	575
Typical application*		A	h mm	3/4"

**Typical application
 • A: domestic usage < 2 people (kitchen, bathroom)



CLAS HE R, CLAS HE & E-SYSTEM



WALL-HUNG HIGH EFFICIENCY GAS SYSTEM BOILERS

- SEDBUK BAND A
- AVAILABLE IN THREE & TWO OUTPUTS
- COMPREHENSIVE RANGE OF WIRED AND WIRELESS CONTROLS
- UNIQUE 'AUTO' FUNCTION OPTIMISES EFFICIENCY OF BOILER AND SYSTEM
- AUTO-DIAGNOSTIC SYSTEM
- SIMPLE MAINTENANCE WITH ACCESS FROM THE FRONT OF THE APPLIANCE
- ANTI-FROST DEVICE
- BUILT-IN AUTOMATIC BY-PASS
- INCLUDES CONNECTION KIT AND FILLING LOOP (E-SYSTEM & CLAS HE SYSTEM)
- 5 YEAR GUARANTEE (CLAS HE), 2 YEAR GUARANTEE (E-SYSTEM)



COMPACT DIMENSIONS



QUIET OPERATION



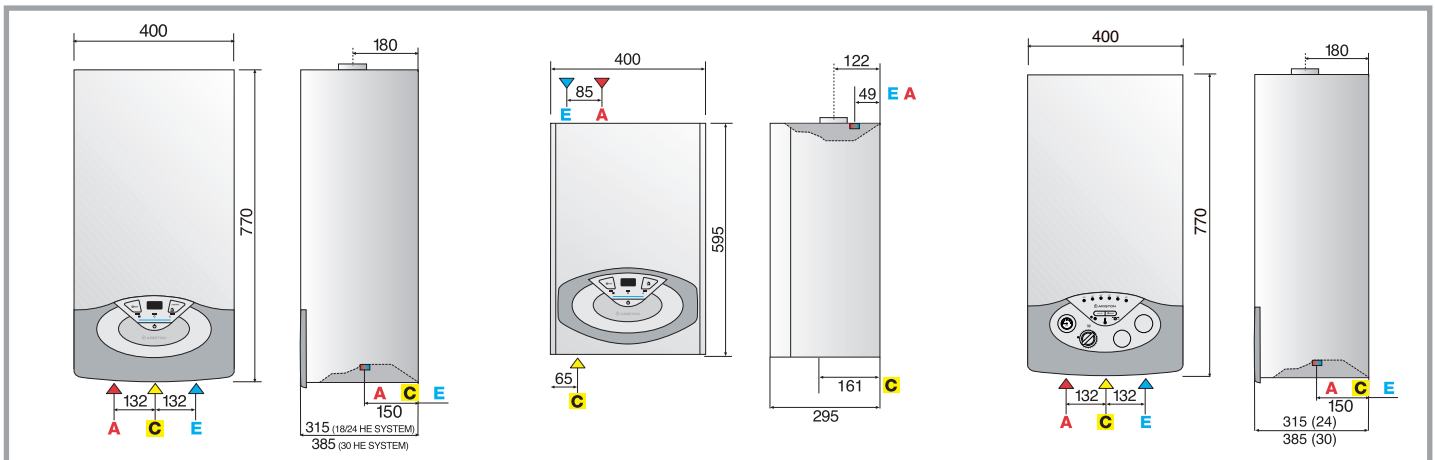
AUTO



SAVING



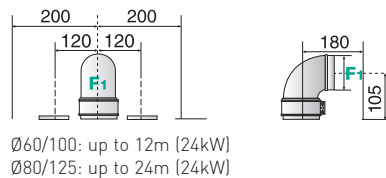
energy saving trust
recommended
energy saving trust logo



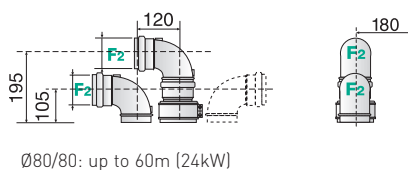
LEGEND

- A: Central heating flow 22mm compression
- C: Gas inlet 15mm compression
- E: Central heating return 22mm compression
- F: Flue (Ø mm)
- F1: 60/100 - 80/125
- F2: 80

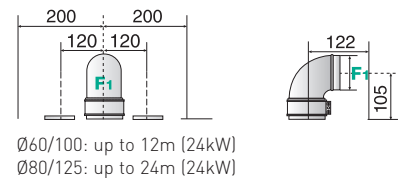
Coaxial exhaust - CLAS HE, E-SYSTEM



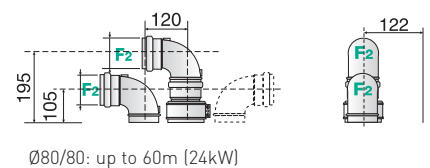
Twin pipe exhaust - CLAS HE, E-SYSTEM

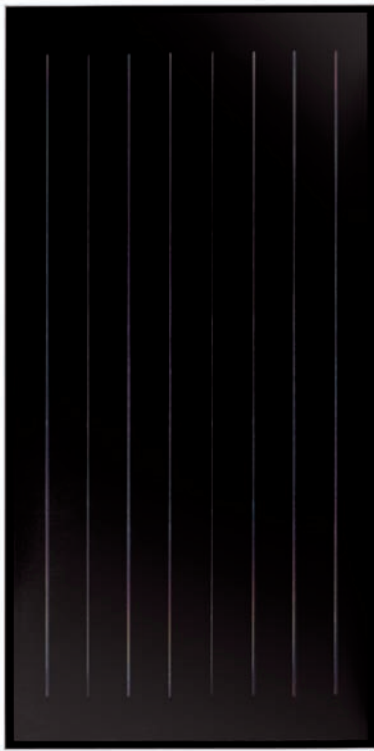


Coaxial exhaust - CLAS HE R



Twin pipe exhaust - CLAS HE R





SOLAR COLLECTORS

- TOTAL SURFACE AREA 2M²
- CAPTIVE SURFACE AREA 1.8M²
- FRAME: GREY ANODISED ALUMINIUM
- INSULATION: 50MM ROCKWOOL
- SPECIAL SOLAR GLASS – HIGH TRANSPARENCY, TEMPERED, ANTI REFLECTIVE AND PRISMATIC
- LOW MOUNTING PROFILE
- EN12975 APPROVED
- 5 YEAR GUARANTEE
- ABSORBER PLATE: HIGH GRADE COPPER WITH TINOX TITANIUM COATING



HIGHLY ABSORBENT



ROCKWOOL INSULATION



HIGH DURABILITY



CORROSION RESISTANT



TESTED AGAINST HAIL STONES



SOLAR KEYMARK

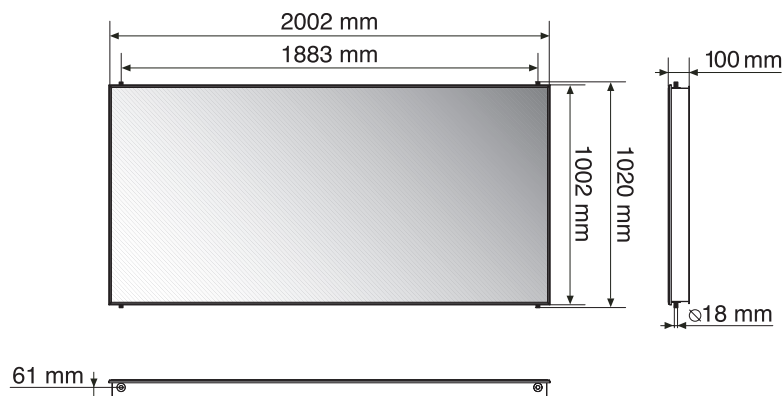
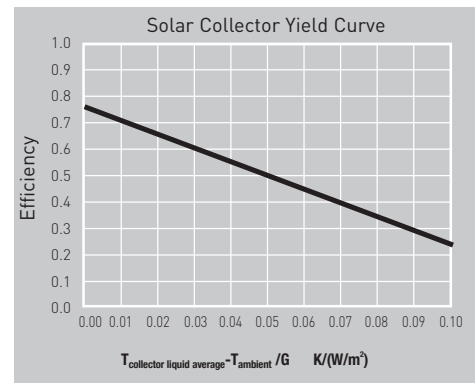
5 5 year guarantee

Technical data - Overall dimensions

SOLAR COLLECTOR CF 2.0

Weight when empty	Kg	35.6
Working pressure	bar	6
Collector tube diameter	mm	18
Collector liquid capacity	l	1.02
Absorption	%	95
Reflection	%	5
Aperture area	m ²	1.82
Absorbent area	m ²	1.74
T ₁₀		0.738*
k ₁	W/m ² K	4.0*
k ₂	W/m ² K ²	0.012*
T _{stagnation}	°C	161.6

* Data refers to the aperture area



Ariston Thermo UK Limited
Ariston Building
Hughenden Avenue
High Wycombe
Bucks HP13 5FT
Telephone 01494 755600
Fax 01494 459775

Technical Advice & Customer Service
Fax 01494 463066
technical.uk@aristonthermo.com
info.uk@aristonthermo.com

www.ariston.co.uk

 **01494 755604**
sales office

 **0870 241 8180**
technical advice

 **0870 600 9888**
customer service



Follow us on
Facebook & Twitter

